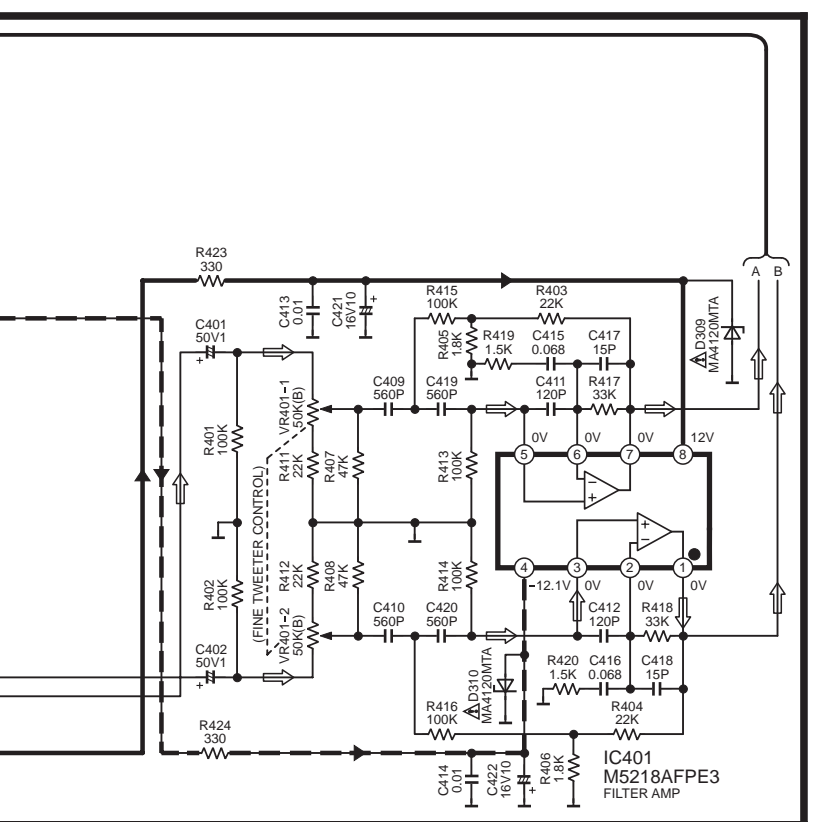
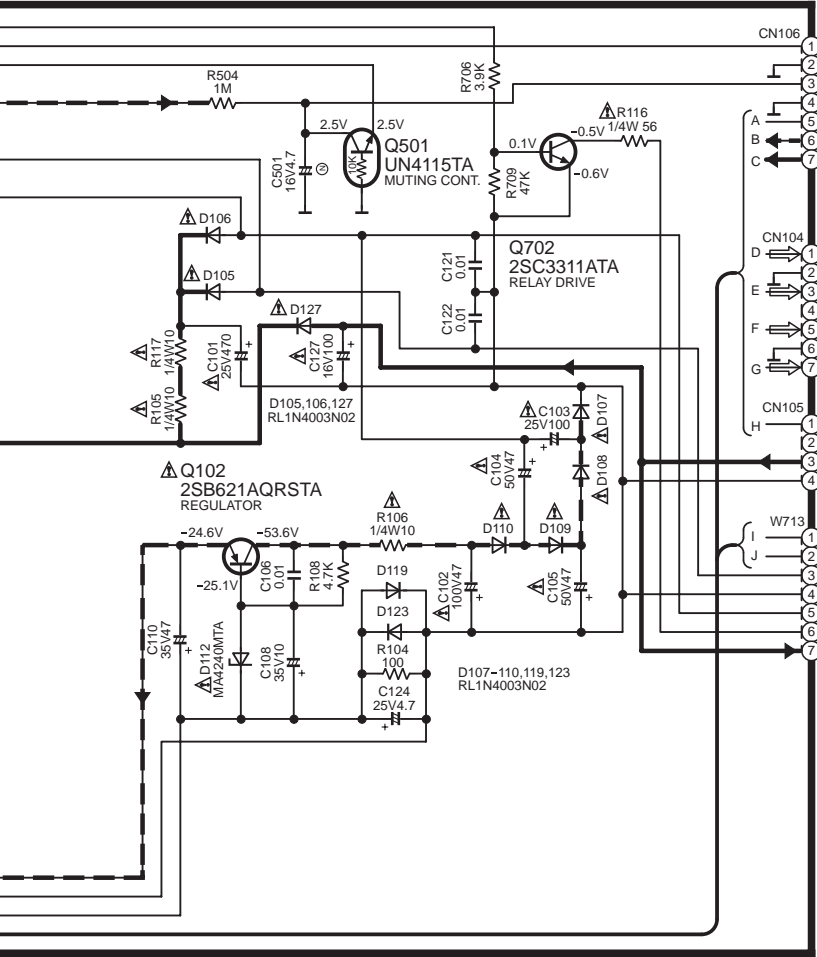
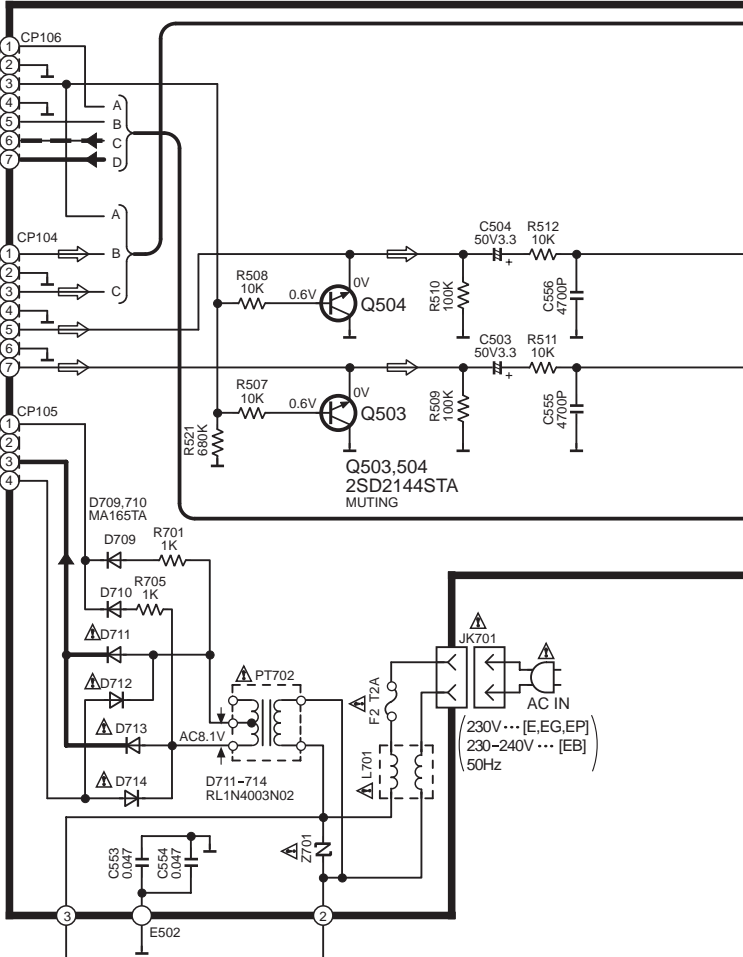


SCHEMATIC DIAGRAM-2

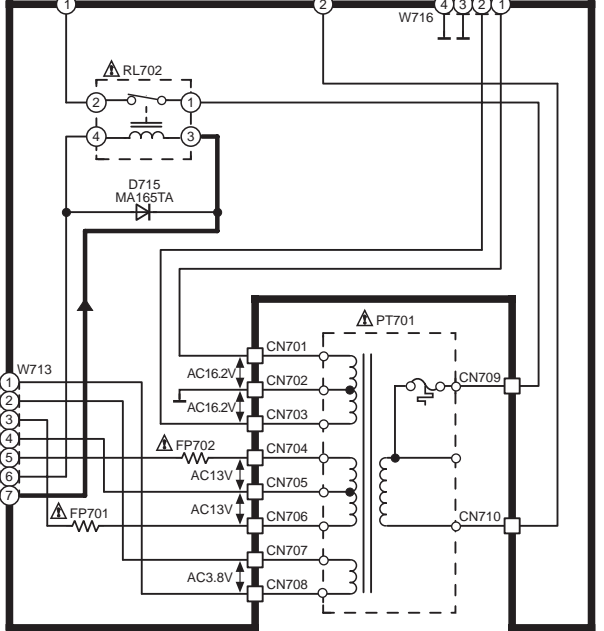
: POSITIVE VOLTAGE LINE
 : NEGATIVE VOLTAGE LINE : SOURCE SIGNAL LINE



F MAIN CIRCUIT



D FUSE CIRCUIT



E POWER TRANSFORMER CIRCUIT